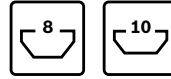


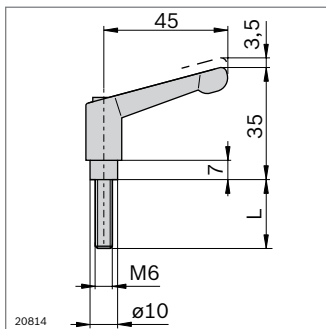
Clamping lever, star knob



- ▶ Clamping elements for adjustable connections

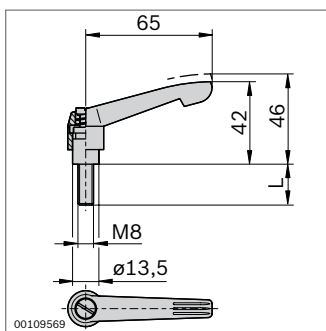
Accessories:

- ▶ Screws and sliding blocks; see fastening material (p. 4-10)



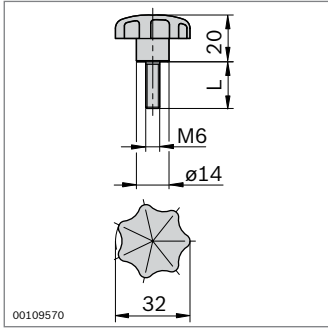
Clamping lever M6	L (mm)	No.
M6x25	25	3 842 528 540
M6x40	40	3 842 528 539

Material: Clamping lever: diecast zinc; black plastic coated
Screws: steel; galvanized and black chrome-plated



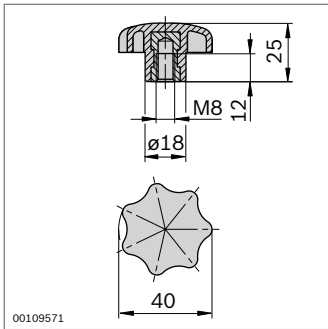
Clamping lever M8	L (mm)	No.
	12	3 842 516 845
	16	3 842 522 124
	20	3 842 516 846
	40	3 842 516 847
	45	3 842 538 607
	55	3 842 516 848

Material: Clamping lever: diecast zinc; black plastic coated
Steel parts: galvanized, strength class 5.8



Star knob M6	L (mm)	No.
	15	3 842 516 849
	20	3 842 516 850

Material: Star knob: PA; black
Steel parts: galvanized, strength class 5.8



Star knob M8	No.
	3 842 516 851

Material: Star knob: PA; black
Steel parts: galvanized, strength class 5.8