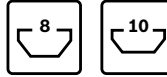
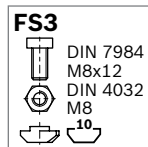
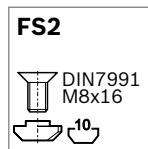
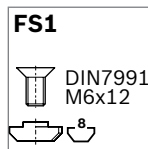
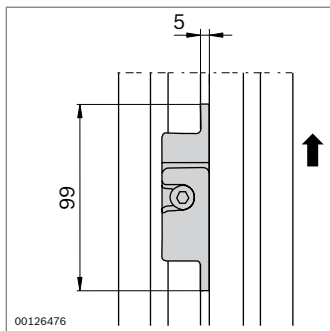


Suspension piece for frames



- ▶ Very quick fitting and removal of pre-assembled frames in prepared supporting structures
- ▶ Protection against unintentional lifting out due to both parts of the suspension piece being screwed in
- ▶ Notes on compliance with the Machinery Directive 2006/42/EC: Please note that fastening parts may work loose during disassembly



Suspension piece	P1	P2	No.	FS
Set	45	30	3 842 515 531	4xFS1, 4xFS2, 4xFS3
Set	45	45	3 842 515 863	8xFS2, 4xFS3

Material: diecast zinc

Scope of delivery: Four suspension pieces, incl. fastening material (FS)

