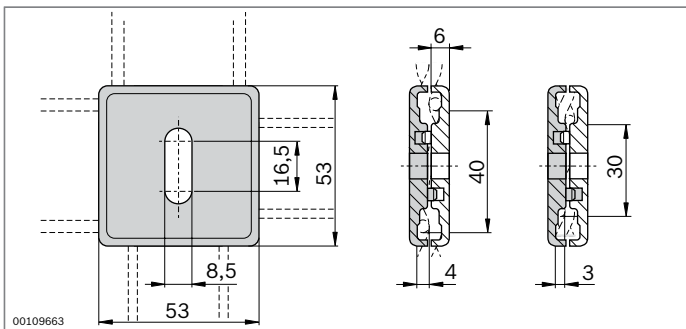



Clamping element

- ▶ For attaching handles, information boards or warning signs to woven wire grilles 40x40x4 and 30x30x3
- ▶ Clamping with opposing pairs of clamping elements

Required accessories:
fastening material; see drawing



Clamping element		No.
	20	3 842 523 308

Material: PA66; black