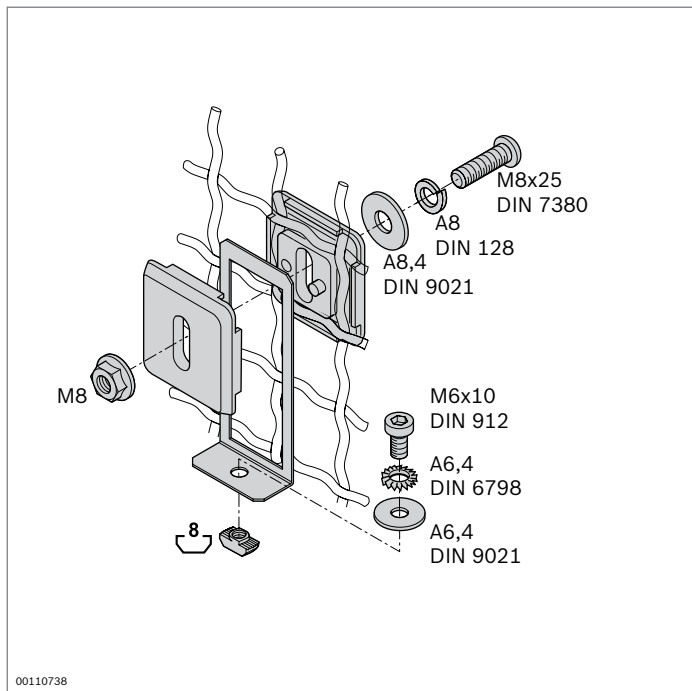


Ground terminal



- ▶ For creating an electrically conductive connection between the woven wire grille and protective frame
- ▶ Connect the protective conductor via the ESD-conductive connection elements (e.g. T-nut)
- ▶ Guarantees safe conduction of short-circuit currents up to a rated current of 63 A



| Earthing terminal | No. | FS |
|-------------------|----------------------|----------|
| | 3 842 525 833 | FS1, FS2 |

Material: Earthing terminal: steel; stainless
Clamping element: PA; black
Fastening material: steel; galvanized

Scope of delivery: incl. fastening material (FS)

