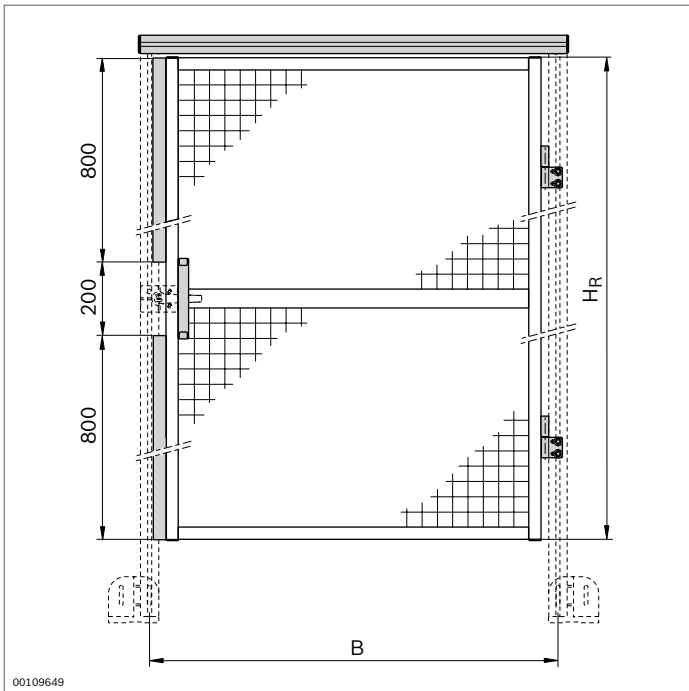


### EcoSafe system door kit

- ▶ For constructing an EcoSafe system door in the modular dimension system
- ▶ Use of finished protective frame as a door
- ▶ For doors that open to the left or right
- ▶ Required components:
  - assembly kit for system door
  - protective frame (p. 10-6)

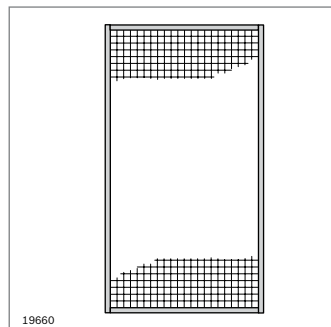
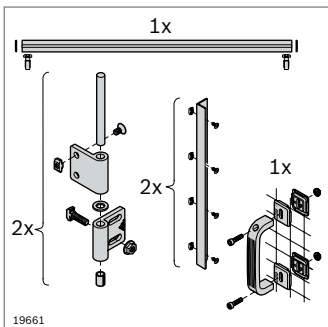
Optional accessories:

- ▶ door lock (p. 8-12)
- ▶ Attachment kit for safety switch (p. 10-20)



Assembly kit for system door	H <sub>R</sub> (mm)	B (mm)	No.
	1800	1000	<b>3 842 523 166</b>
	1800	750	<b>3 842 523 165</b>

Scope of delivery: 2 x hinge, 2 x stop rail, profile as door lintel, bow-shaped handle, incl. fastening material

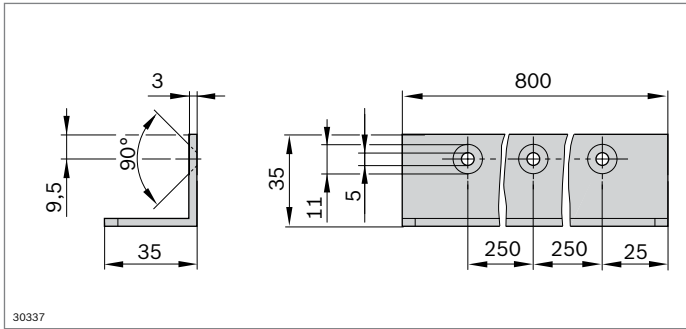


### Selection of suitable protective frames

Protective frame	H <sub>R</sub> (mm)	B (mm)	No.
<b>Protective frame, in horizontal sections</b>	1800	1000	<b>3 842 554 281</b>
<b>Protective frame</b>	1800	750	<b>3 842 554 283</b>

Material: aluminum, anodized; woven wire grille and fastening material: steel; galvanized

Scope of delivery: fully assembled



► System door stop rail for self-assembly

Stop rail	No.
	<b>3 842 523 170</b>