

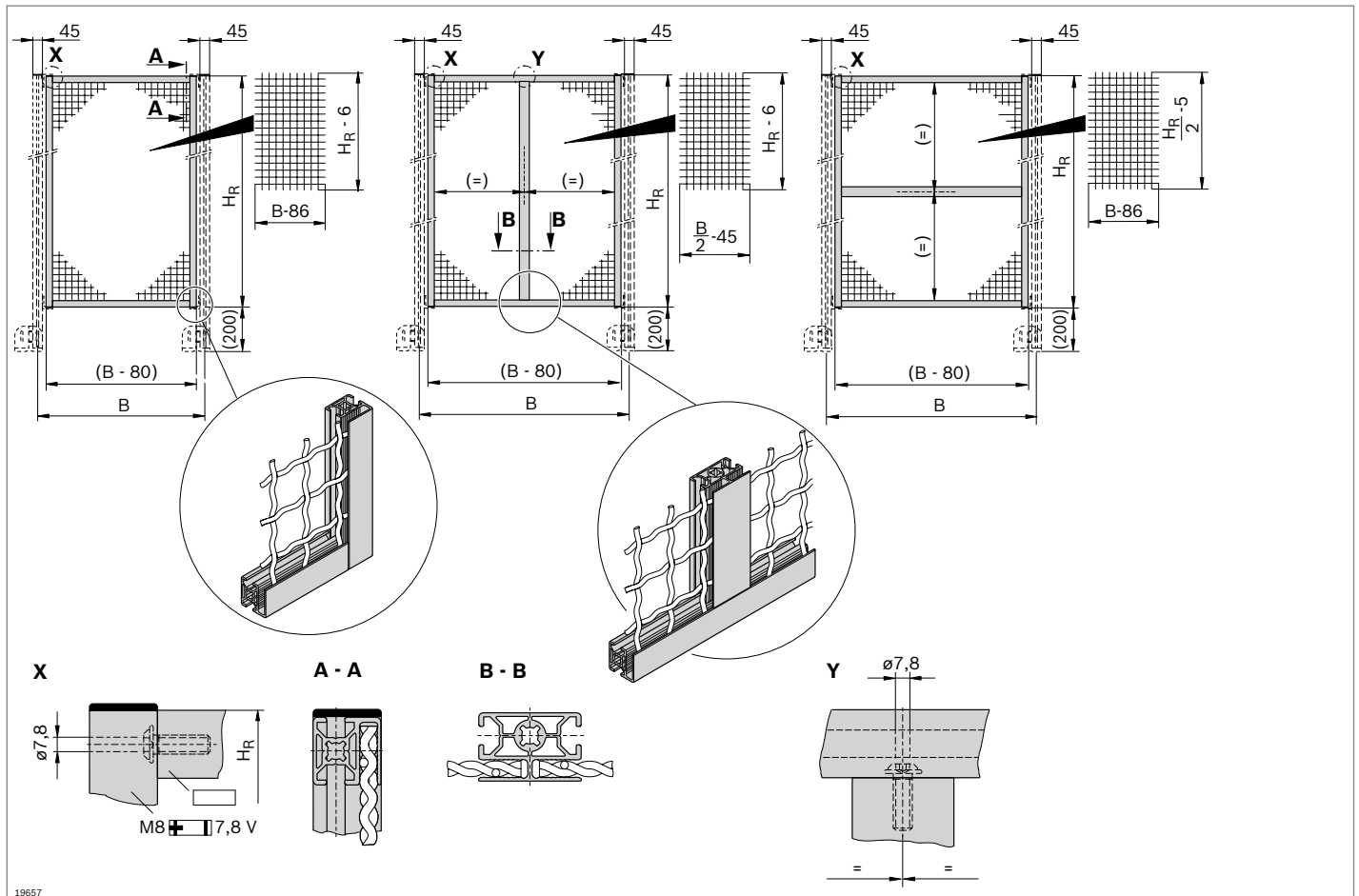
Protective grille profiles

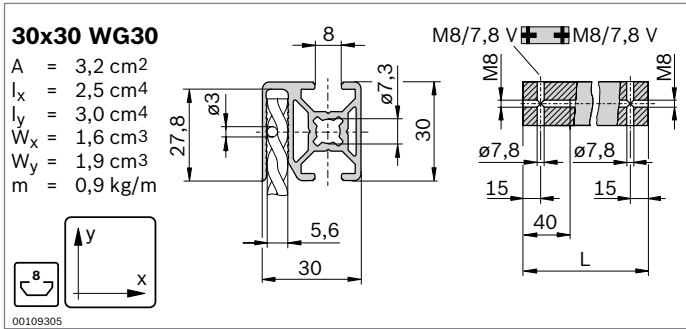


- ▶ For the low-cost construction of protective barriers with woven wire grilles WG30 and WG40
- ▶ Fastening of woven wire grilles: directly in the special profile slot
- ▶ Fastening of surface elements: in the special profile slot using spring clamping elements (accessories)
- ▶ The profiles are connected using a central bolt (profile finishing required)
- ▶ Modular dimension "B" relates to 45x45 supports

Required accessories:

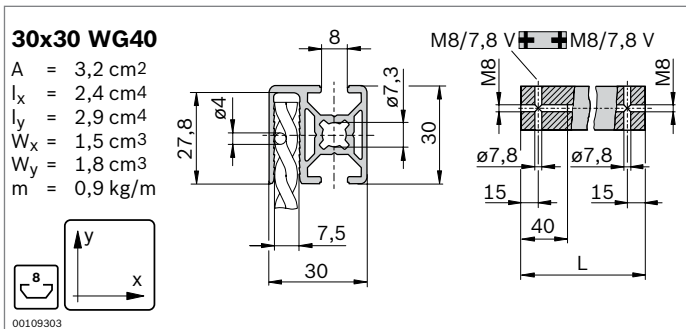
- ▶ Central bolt (p. 3-40)
- ▶ Woven wire grille (p. 10-6)
- ▶ Spring clamping elements (p. 10-21)





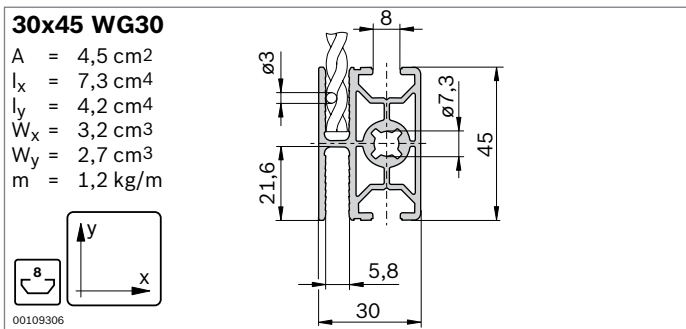
Protective grille profile		L (mm)	No.
30x30 WG30			
1 pcs		100 ... 5600	3 842 992 970 / L
1 pcs	M8/7,8V	100 ... 5600	3 842 992 977 / L
20 pcs		5600	3 842 522 462

Material: aluminum, anodized



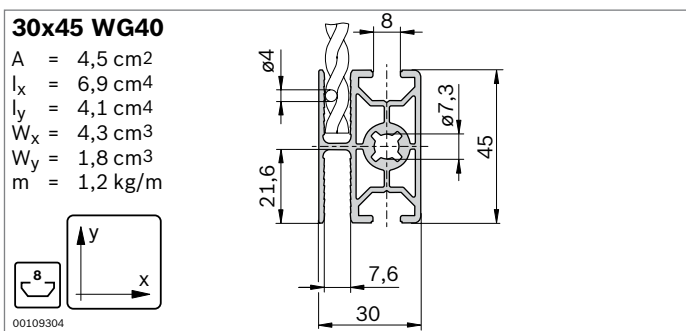
Protective grille profile		L (mm)	No.
30x30 WG40			
1 pcs		100 ... 5600	3 842 992 972 / L
1 pcs	M8/7,8V	100 ... 5600	3 842 992 978 / L
20 pcs		5600	3 842 522 464

Material: aluminum, anodized



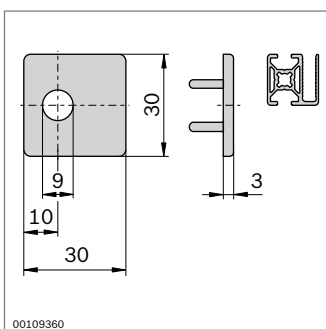
Protective grille profile		L (mm)	No.
30x45 WG30			
1 pcs		100 ... 5600	3 842 992 971 / L
20 pcs		5600	3 842 522 463

Material: aluminum, anodized



Protective grille profile		L (mm)	No.
30x45 WG40			
1 pcs		100 ... 5600	3 842 992 973 / L
20 pcs		5600	3 842 522 465

Material: aluminum, anodized



► Cover cap for a more attractive appearance and to prevent injuries

Cover cap	Color	No.	No.
30x30	Signal gray	20	3 842 555 134
30x30	Black	100	3 842 522 345

Material: PP, signal gray
PA; black