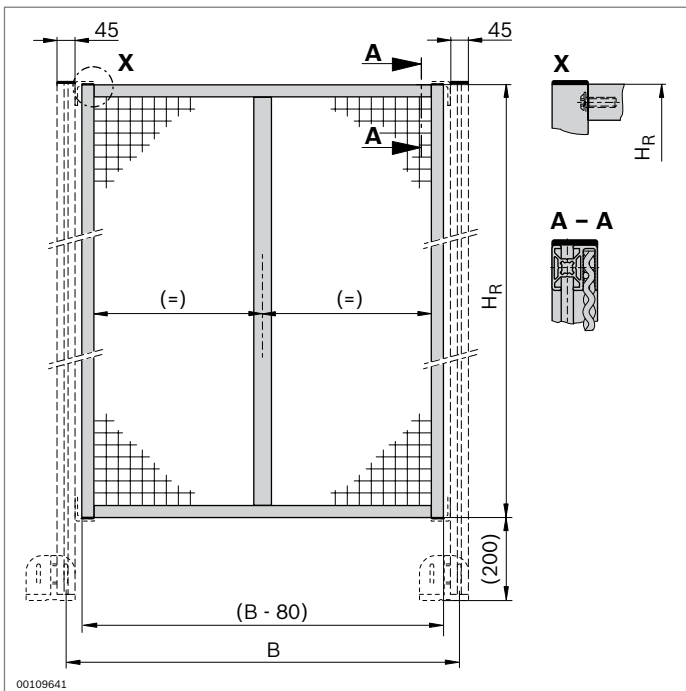


Protective frame, in horizontal sections	H <sub>R</sub> (mm)	B (mm)	No.
	1800	1000	<b>3 842 554 281</b>
	500...2300	250...2500	<b>3 842 994 745 / H<sub>R</sub>, B, FA</b>

Material: Frame: aluminum, anodized  
Woven wire grille: steel, hot-galvanized

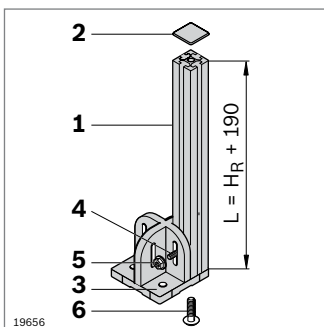
Color of woven wire grille:  
FA = 0: hot-galvanized  
FA = 1: black; RAL 9005 (e.g. for fence)  
FA = 2: yellow; RAL 1023 (e.g. for doors)



Protective fence, vertical sections	H <sub>R</sub> (mm)	B (mm)	No.
	1800	2000	<b>3 842 554 280</b>
	250...2300	500...3000	<b>3 842 994 744 / H<sub>R</sub>, B, FA</b>

Material: Frame: aluminum, anodized  
Woven wire grille: steel, hot-galvanized

Color of woven wire grille:  
FA = 0: hot-galvanized  
FA = 1: black; RAL 9005 (e.g. for fence)  
FA = 2: yellow; RAL 1023 (e.g. for doors)



#### Individually construct the supports using MGE components

Component	No.	Qty.	Page
<b>1</b> Profile 45x45L	<b>3 842 992 425 / L</b>	1	2-36
<b>2</b> Cover cap	<b>3 842 548 753</b>	1	2-36
<b>3</b> Base plate, 120x120	<b>3 842 527 553</b>	1	6-11
<b>4</b> T-bolt M8x30	<b>3 842 528 721</b>	2	3-6
<b>5</b> Flange nut M8	<b>3 842 345 081</b>	2	3-6
<b>6</b> Central bolt S12x30-T50	<b>3 842 530 236</b>	1	3-40