

00109596

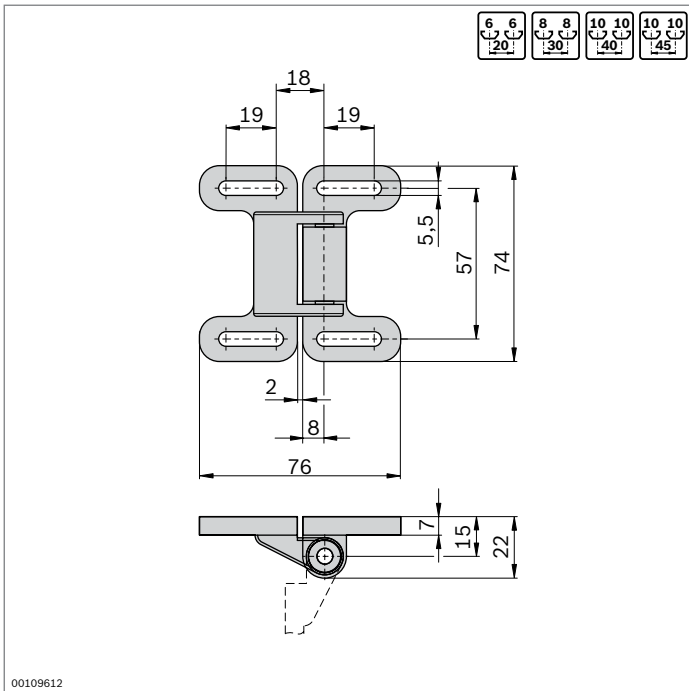
Ball catch



- ▶ Ball catch for doors and flaps
- ▶ For sliding and swing doors
- ▶ For doors with or without frames
- ▶ Elongated hole to adjust for differing spacing
- ▶ Can be used under cleanroom conditions

Accessories:

Cap screw ISO 4762, washer,
T-nut (p. 3-4)



00109612

Ball catch	ESD	No.
	10	3 842 524 986

Material: PA; black, conductive

