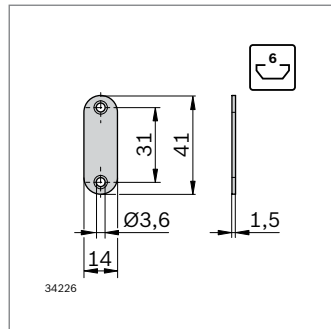
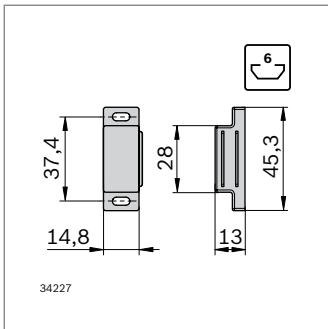


### Magnet catch



- ▶ The magnet catch prevents doors and flaps from banging or being unintentionally opened
- ▶ Elongated holes to compensate for different surface element thicknesses

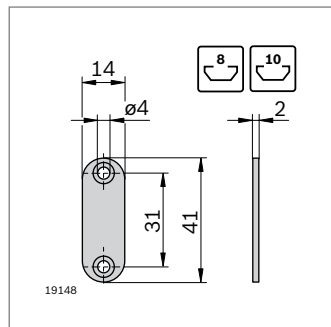
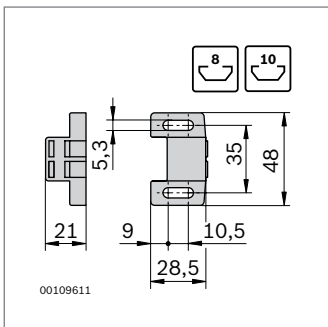
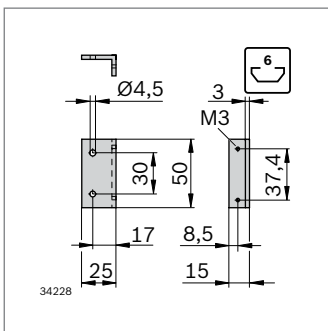
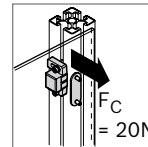
Accessories:  
cylinder bolt ISO 4762, washer, T-nut (p. 3-4)



| Magnet catch | Slot | No.                  | FS    |
|--------------|------|----------------------|-------|
|              | 6    | <b>3 842 558 323</b> | 2xFS1 |

Material: PP, white / steel, galvanized  
Scope of delivery: incl. counterpiece, bracket, fastening material (FS)

**FS1**  
 ISO 4762  
 M3x8  
 DIN ISO 7089-3



| Magnet catch | Slot  | No.                  |
|--------------|-------|----------------------|
|              | 8, 10 | <b>3 842 516 165</b> |

Material: PA; black steel; galvanized  
Scope of delivery: incl. counterpiece

