

## Bump stop Handle bar

### Bump stop

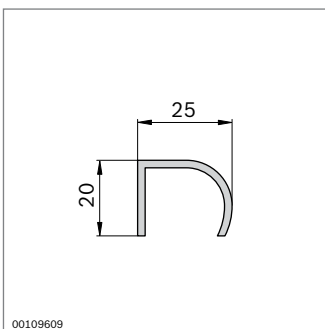
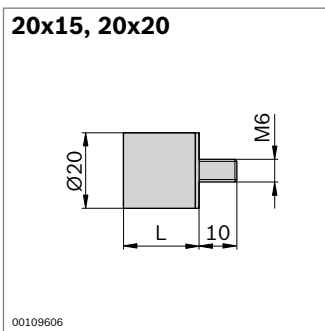
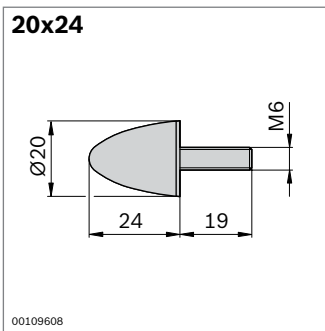
- For damping impact and noise on doors, flaps, and covers

Accessories:  
nut, T-nut M6 (p. 3-4)

### Handle bar

- Can be used, for example, on covers, drawers, or doors
- Machining: drilled holes for fixing

Required accessories:  
Fastening material



Bump stop		No.
20x24	10	3 842 510 165

Material: rubber, hardness 55° shore A

Bump stop	L (mm)		No.
20x15	15	10	3 842 510 464
20x20	20	10	3 842 510 462

Material: rubber, hardness 55° shore A

Handle bar	L (mm)		No.
	50...3000	1	3 842 990 111 / L
	3000	10	3 842 500 287

Material: aluminum, anodized