

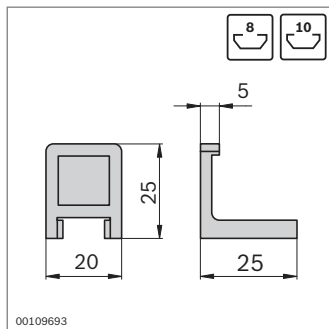
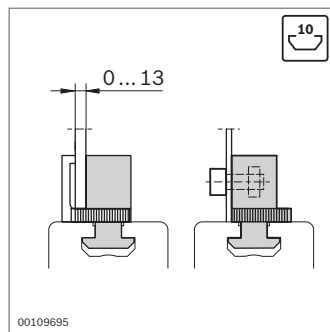
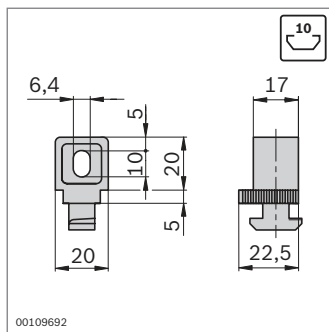
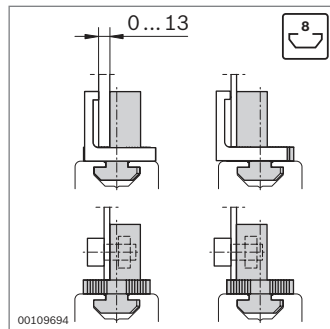
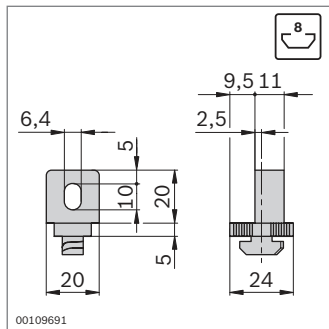
### Variofix block



- ▶ For surface elements up to 13 mm thick
- ▶ For subsequent installation in closed frame constructions
- ▶ Asymmetrical form enables surface elements to be fastened in two different positions
- ▶ Clamping with snap-in clip or screw fitting with square nut M6 (included in scope of delivery) and screw
- ▶ Retainer ring for connecting the screw to the surface element (Machinery Directive 2006/42/EC)

Accessories:

- ▶ Variofix remover (p. 14-7)
- ▶ Screw for fitting with square nut



Variofix block	Color	Slot		No.
	Signal gray	8	10	<b>3 842 548 832</b>

Material: PP  
 Square nut: steel; galvanized  
 Scope of delivery: incl. square nut

Variofix block	Color	Slot		No.
	Signal gray	10	10	<b>3 842 548 834</b>

Material: PP  
 Square nut: steel; galvanized  
 Scope of delivery: incl. square nut M6, retainer ring M6

Snap-in clip		No.
	10	<b>3 842 184 738</b>

Material: PA; colorless