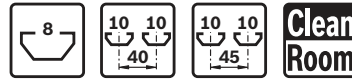
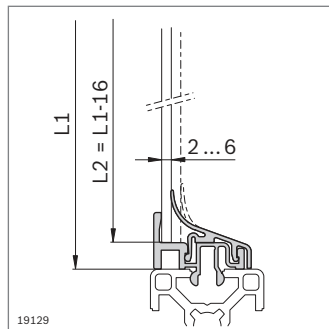
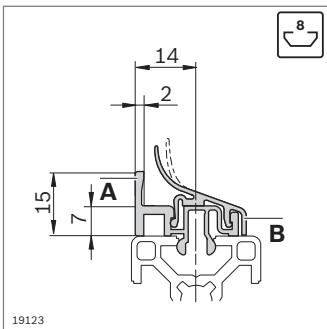


### Protective pane profile Clean



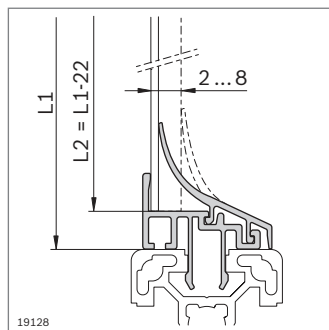
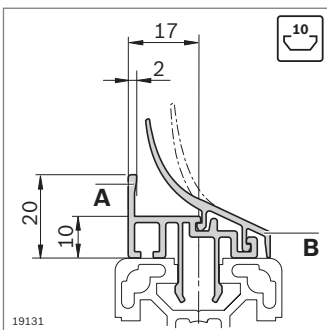
- ▶ For the play-free mounting of surface elements
- ▶ For surface elements with a thickness of 2 ... 8 mm
- ▶ For subsequent installation in closed frame constructions
- ▶ Installation of surface elements flush with the profile edge
- ▶ The protective pane profile consists of the basic profile (A) and the clip-on strip (B). Both profiles are required to ensure proper functioning.
- ▶ Suitable for use under cleanroom conditions
- ▶ Assessment of highly volatile organic emissions at room temperature, 50 °C and 120 °C, Report No. BO 9903-161

7



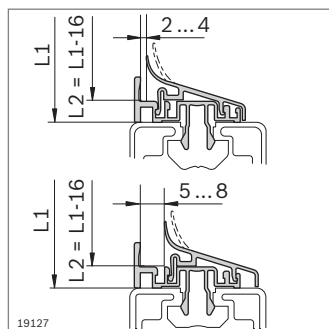
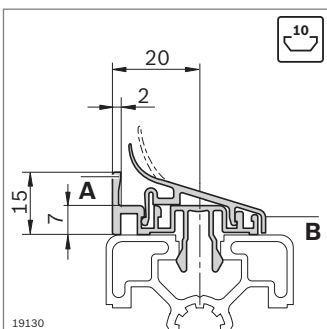
Protective pane profile	Slot	s (mm)	L (mm)	No.
A Base profile	8	2 ... 6	2000	10 <b>3 842 524 025</b>
B Clip strip	8	2 ... 6	2000	10 <b>3 842 524 026</b>

Material: Basic profile: aluminum, anodized  
Clip strip: PP/TPE; light gray RAL 7035



Protective pane profile	Slot	s (mm)	L (mm)	No.
A Base profile	10	2 ... 8	2000	10 <b>3 842 529 761</b>
B Clip strip	10	2 ... 8	2000	10 <b>3 842 529 762</b>

Material: Basic profile: aluminum, anodized  
Clip strip: PP/TPE; light gray RAL 7035



Protective pane profile	Slot	s (mm)	L (mm)	No.
A Base profile	10	2 ... 8	2000	10 <b>3 842 524 027</b>
B Clip strip	10	2 ... 8	2000	10 <b>3 842 524 028</b>

Material: Basic profile: aluminum, anodized  
Clip strip: PP/TPE; light gray RAL 7035