

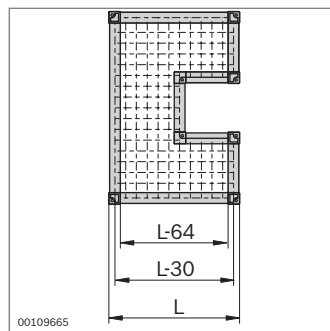
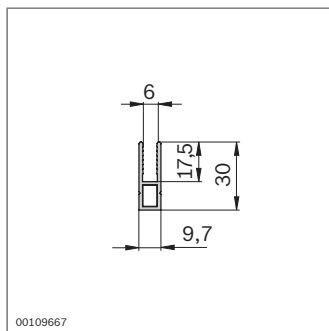
### Protective grille profile



- ▶ For constructing frames for woven wire grilles or surface elements
- ▶ For woven wire grilles with a wire diameter up to 3.1 mm
- ▶ For surface elements up to 6 mm thick
- ▶ Screw fitting of frame to the outside of strut profiles (subsequent installation)
- ▶ Insertion of frame into the slot of a strut profile or a sliding door profile Al 45
- ▶ Corner pieces for inner and outer corners

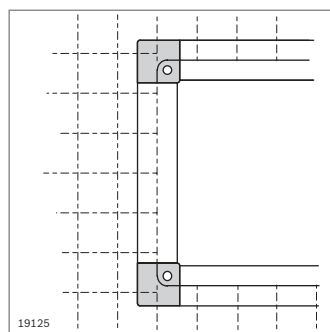
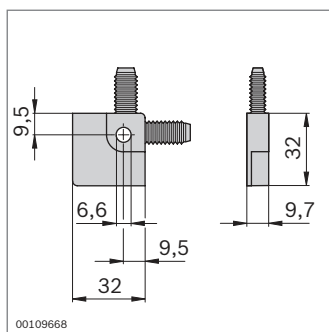
Optional accessories:

- ▶ T-nut M6 (p. 3-4)
- ▶ Screw M6



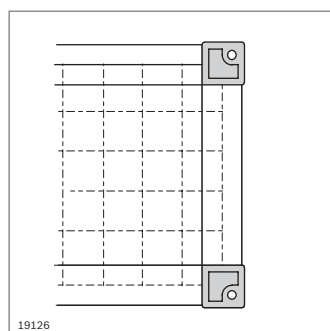
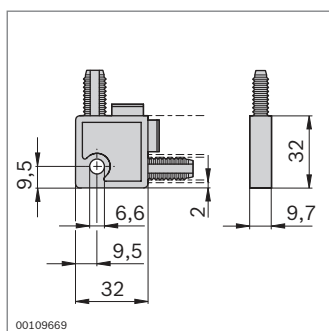
Protective grille profile	L (mm)	No.
	3000 <sup>1)</sup>	20 <b>3 842 305 766</b>

<sup>1)</sup> Due to the (anodic oxidation) contact points produced in the manufacturing process, supplied in profile length of 3100 mm  
Material: aluminum, black anodized



Inner corner piece	No.
	20 <b>3 842 305 768</b>

Material: PA; black



Outer corner piece	No.
	20 <b>3 842 305 767</b>

Material: PA; black