

19774

### Variofix remover

- ▶ For fast, easy removal of the Variofix snap-in clip (p. 7-6), even in hard-to-reach places
- ▶ The remover is pushed onto the snap-in clip of the Variofix block so that it spreads the teeth of the clip and can then be removed together with the clip

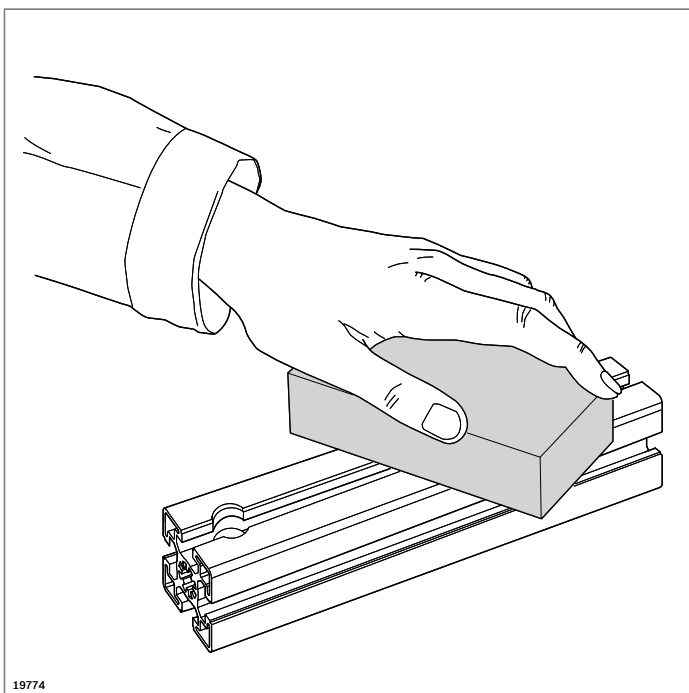
Variofix remover		No.
Material:	PA	10 3 842 526 589



No.

10 3 842 526 589

Material: PA



19774

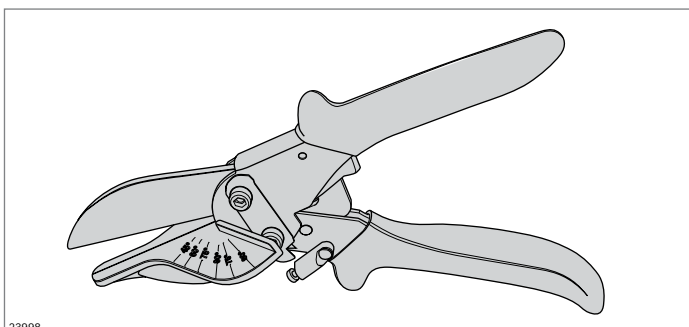
### Flexible grinder for anodized surfaces

- ▶ Hand grinder for removing light soiling and minor scratches
- ▶ Handy grindstone made of flexible base material containing abrasive agents
- ▶ Long service life thanks to automatic, continual surface renewal, like an eraser
- ▶ Suitable for all natural-colored, anodized surfaces, e.g. also for aluminum windows and doors

Flexible grinder for anodized surfaces		No.
Material:	silicon carbide 60% polyurethane 40%	3 842 518 650

No.

3 842 518 650

Material: silicon carbide 60%  
polyurethane 40%

23998

### Miter cutter

- ▶ For length-trimming of polymer profiles, e.g. slot cover profiles

Miter cutter		No.
		3 842 547 982

No.

3 842 547 982