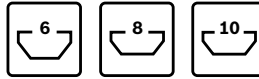
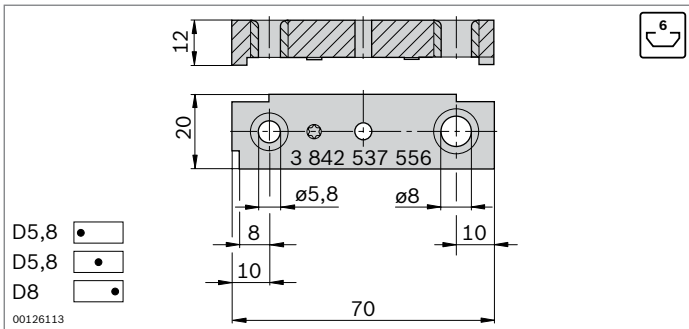


## Drilling jigs



- ▶ For simple drilling of standard holes for the Rexroth range of connectors
- ▶ Stopping surfaces and edges for precise hole positioning
- ▶ Lockable



### Drilling jigs – slot 6 mm

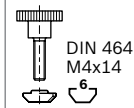
- ▶ For through-holes ( $\varnothing 5.8$ ) for hexagonal-star socket screwdrivers T25
- ▶ For fastening holes ( $\varnothing 8$ ) for quick connectors

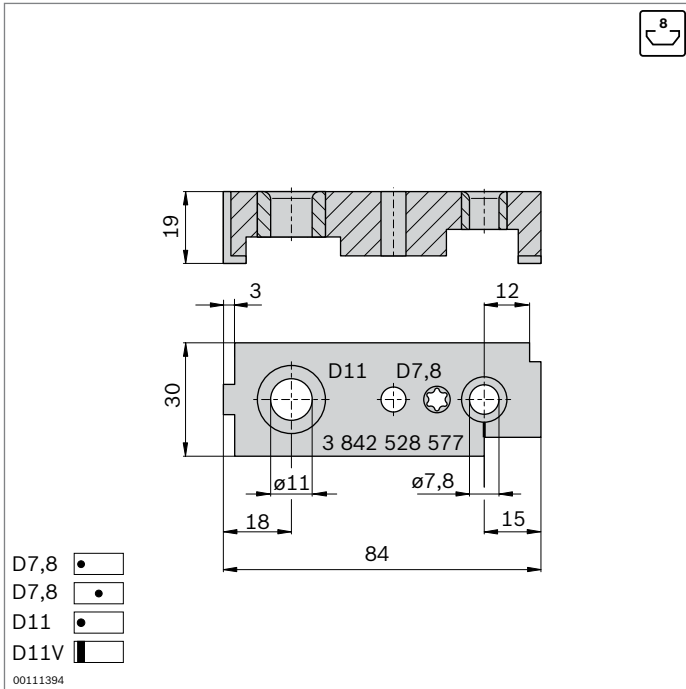
Drilling jig	No.	FS
Slot 6 mm	3 842 537 556	FS1

Material: aluminum

Scope of delivery: incl. fastening material (FS)

### FS1



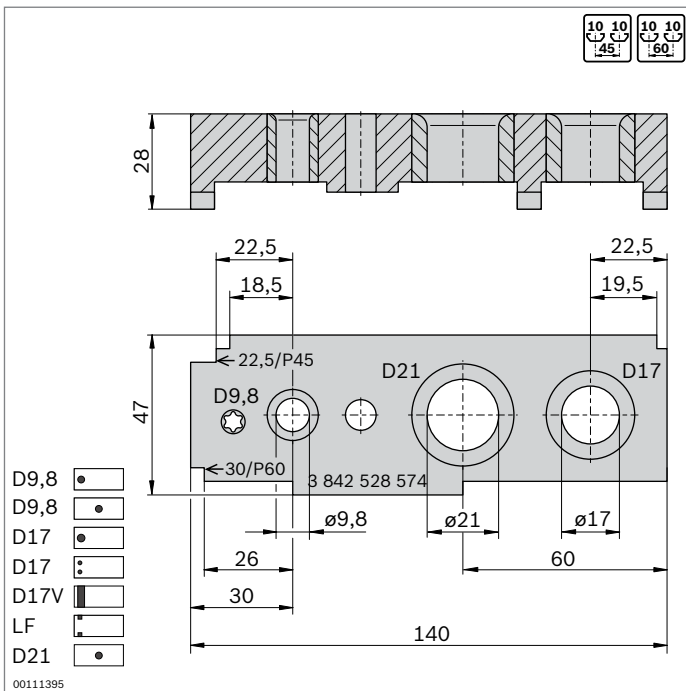
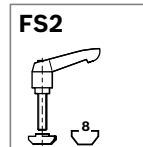


### Drilling jigs – slot 8 mm

- ▶ For through-holes ( $\varnothing 7.8$ ) for hexagonal-star socket screwdrivers T40
- ▶ For fastening holes ( $\varnothing 11$ ) for quick connectors

Drilling jig	No.	FS
Slot 8 mm	3 842 528 577	FS2

Material: steel; galvanized  
 Scope of delivery: incl. fastening material (FS)

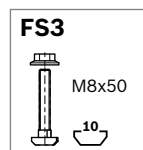


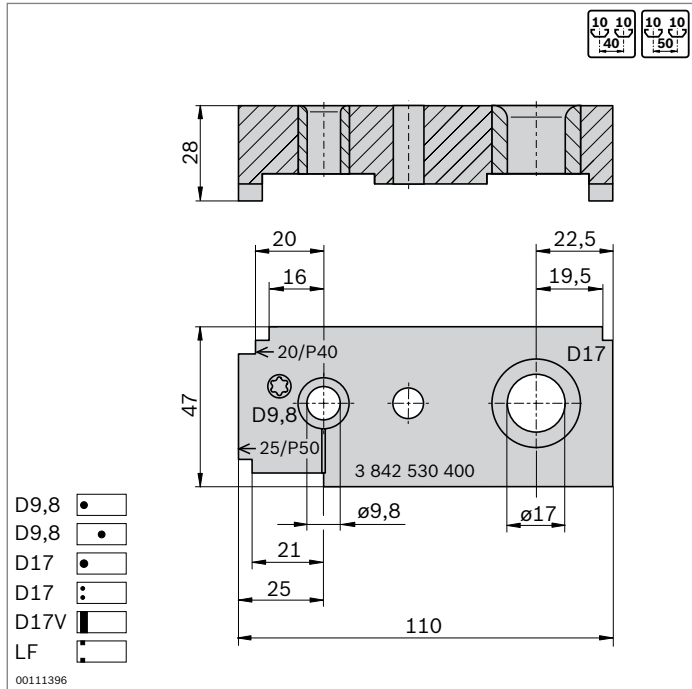
### Drilling jigs – slot 10 mm, modular dimensions 45, 60

- ▶ For fastening holes ( $\varnothing 17$ ) for bolt connectors, quick connectors, and threaded sleeves
- ▶ For through-holes ( $\varnothing 9.8$ ) for hexagonal-star socket screwdrivers T50
- ▶ For counterbores ( $\varnothing 21$ ) for pneumatic connections

Drilling jig	No.	FS
Slot 10 mm, modular dimensions 45, 60	3 842 528 574	FS3

Material: steel; galvanized  
 Scope of delivery: incl. fastening material (FS)





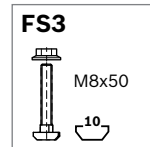
### Drilling jigs – slot 10 mm, modular dimensions 40, 50

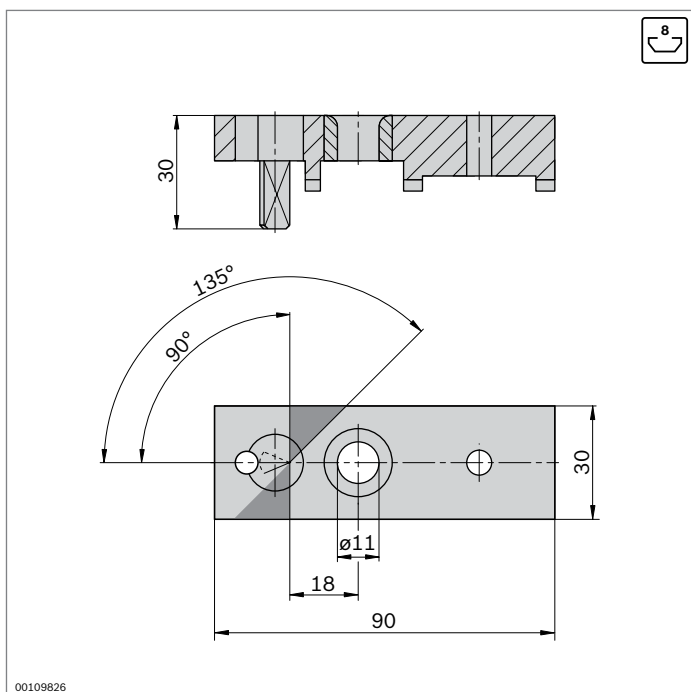
- ▶ For through-holes ( $\varnothing 9.8$ ) for hexagonal-star socket screwdrivers T50
- ▶ For fastening holes ( $\varnothing 17$ ) for bolt connectors, quick connectors, and threaded sleeves

Drilling jig	No.	FS
Slot 10 mm, modular dimensions 40, 50	3 842 530 400	FS3

Material: steel; galvanized

Scope of delivery: incl. fastening material (FS)





### Drilling jig for diagonally sawn profiles – slot 8 mm

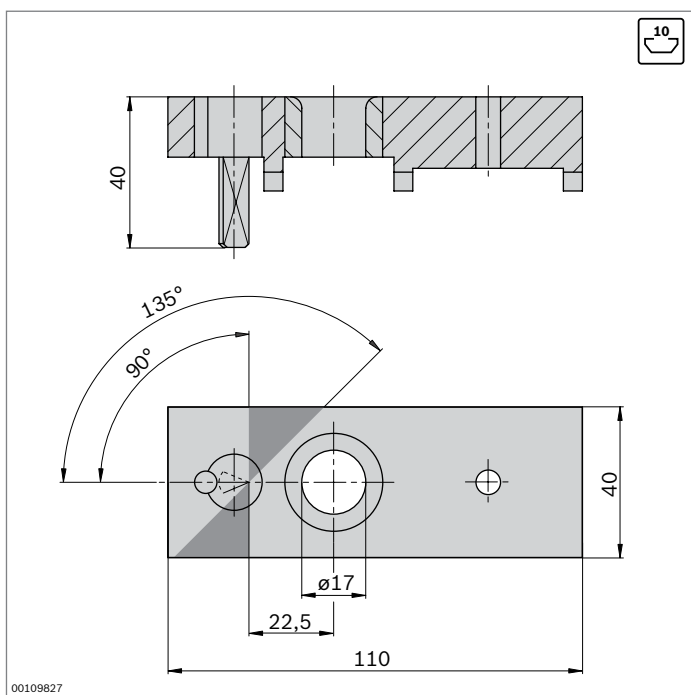
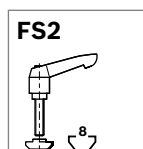
- For fastening holes ( $\varnothing 11$ ) for bendable quick connectors

Drilling jig	No.	FS
Slot 8 mm – diagonally sawn profiles	3 842 516 729	FS2

Material: aluminum

Scope of delivery: incl. fastening material (FS)

Also see bendable quick connector (p. 3-56)



### Drilling jig for diagonally sawn profiles – slot 10 mm

- For fastening holes ( $\varnothing 17$ ) for bendable quick connectors

Drilling jig	No.	FS
Slot 10 mm – diagonally sawn profiles	3 842 516 731	FS4

Material: aluminum

Scope of delivery: incl. fastening material (FS)

Also see bendable quick connector (p. 3-56)

