

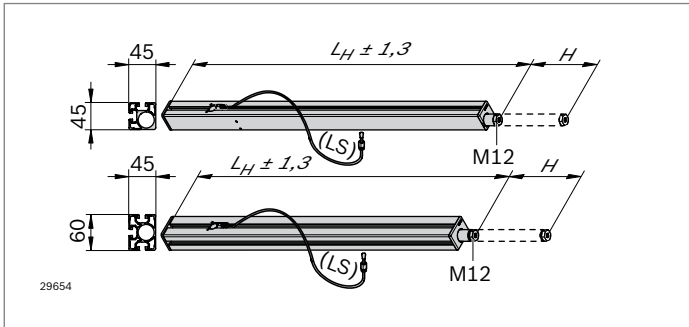
Components for height adjustment 45x45 and 45x60



- ▶ Infinitely variable hydraulic height adjustment with a crank handle, e.g. for work benches, tables or frames
- ▶ Max. load bearing capacity per lifting module 800 N
- ▶ Maximum lift 400 mm
- ▶ Simplest mounting system due to use of hydraulic hoses with quick-release couplings
- ▶ Variable or fixed lengths for lifting module and hoses
- ▶ Can be used for the implementation of EN 1570-1, taking other measures for integration into products into consideration

Optional accessories:

- ▶ connection elements, e.g. bracket (see p. 3-17),
- ▶ leveling foot, e.g. 3 842 529 025 (p. 6-4)

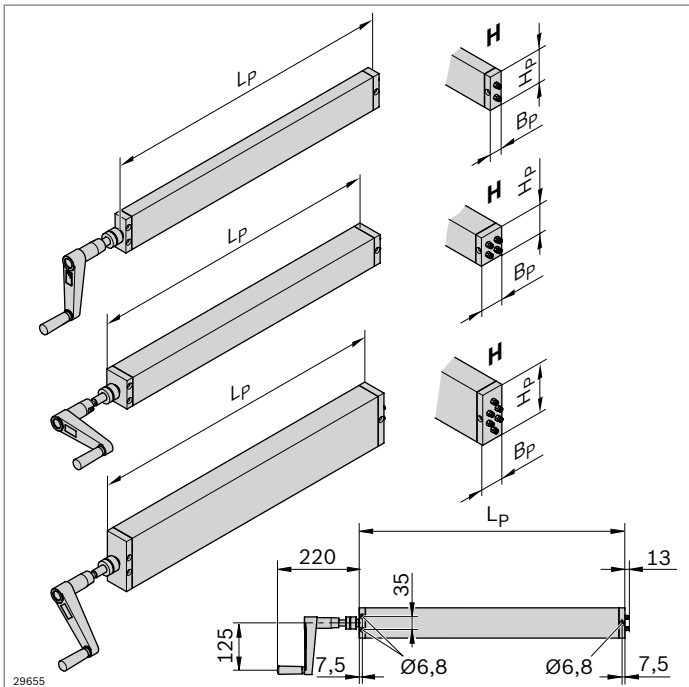


Lifting module	L _H (mm)	L _S (mm)	No.
45x45 Variable	720 ...	1000 ...	Set 3 842 994 000/L_H/L_S
	2000 ¹⁾	4000 ²⁾	
Standard	770	2500	Set 3 842 552 131/L_H/L_S
45x60 Variable	720 ...	1000 ...	Set 3 842 994 001/L_H/L_S
	2000 ¹⁾	4000 ²⁾	
Standard	770	2500	Set 3 842 552 132/L_H/L_S

¹⁾ Lifting module length (L_H) can be ordered in 10 mm increments
²⁾ Hose length (L_S) can be ordered in 1000, 1500, 2000, 2500, 3000, 4000 mm

Scope of delivery: 2 x lifting module with built-in hydraulic cylinder incl. hose (min. bend radius 50 mm) and quick-release coupling; 2 x cover cap

Condition on delivery: assembled, filled with food-safe HPL oil of class NSF H1



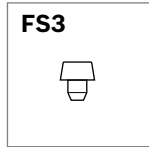
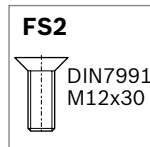
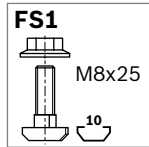
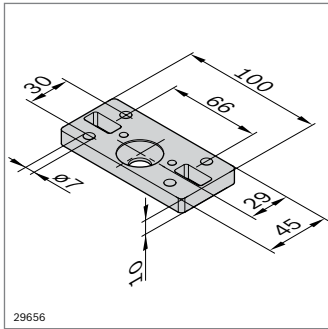
Pump and drive

- ▶ Synchronous activation of 2, 4 or 6 lifting modules
- ▶ Can be mounted in any position
- ▶ Incl. friction clutch for load control
- ▶ 4 mm stroke per rotation
- ▶ Crank handle, retractable

Pump	Max. Load (N)	Amount Lift modules	L _p (mm)	W _p (mm)	H _p (mm)	No.
	1600	2	702.5±2	30	80	3 842 552 133
	3200	4	702.5±2	56	68	3 842 552 134
	3200	6	714.5±2	60	120	3 842 552 135

Scope of delivery: pump incl. hand crank and quick-release coupling

Condition on delivery: assembled, filled with food-safe HPL oil of class NSF H1

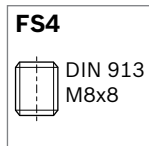
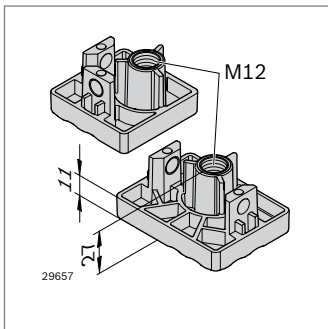


Connecting plate

- For mounting the lifting module on a foot, profile or table top

Connecting plate	No.	FS
Set	3 842 552 176	4xFS1, 2xFS2, 4xFS3

Material: aluminum
 Fastening material: steel; galvanized
 Scope of delivery: 2 x connecting plate; incl. fastening material (FS)

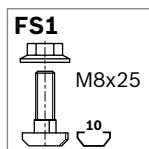
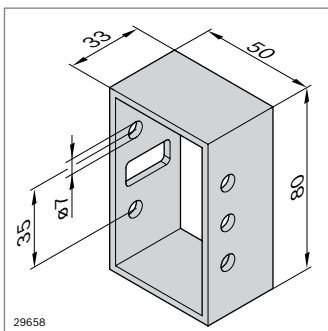


Adapter plate

- For mounting a leveling foot (e.g. 3 842 529 025) to the lifting module
- Max. screw-in depth of the spindle with $L_H = 720$ mm: ~ 50 mm

Adapter plate	No.	FS
45x45	Set 3 842 552 174	4xFS4
45x60	Set 3 842 552 175	4xFS4

Material: diecast zinc
 Fastening material: steel; galvanized,
 Scope of delivery: 2 x adapter plate; incl. fastening material (FS)

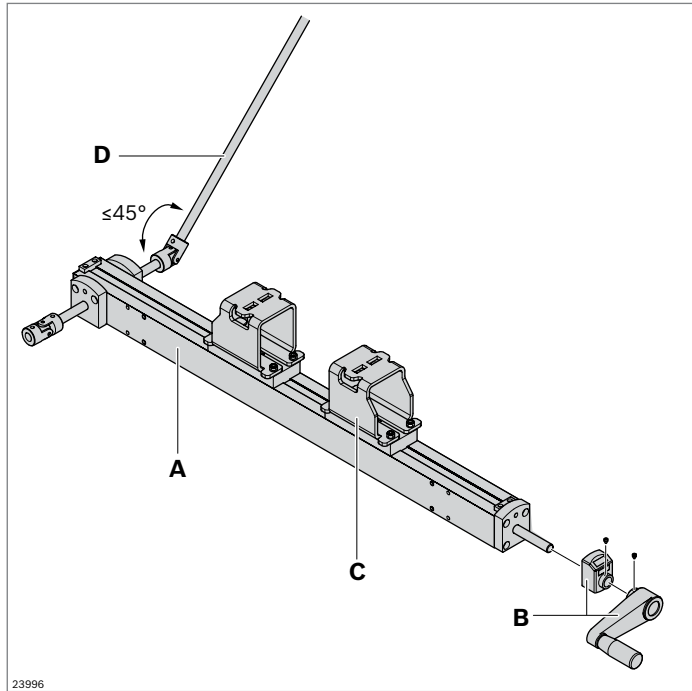


Connection adapter

- For mounting the pump on a profile or a table top
- Independent of the pump size, mounting requires 3 countersunk screws (ISO 10642, M6, 8.8) in 40 mm (pump for 2 lifting modules) or 70 mm (pump for 4 or 6 lifting modules)

Connection adapter	No.	FS
Set	3 842 552 177	2xFS1

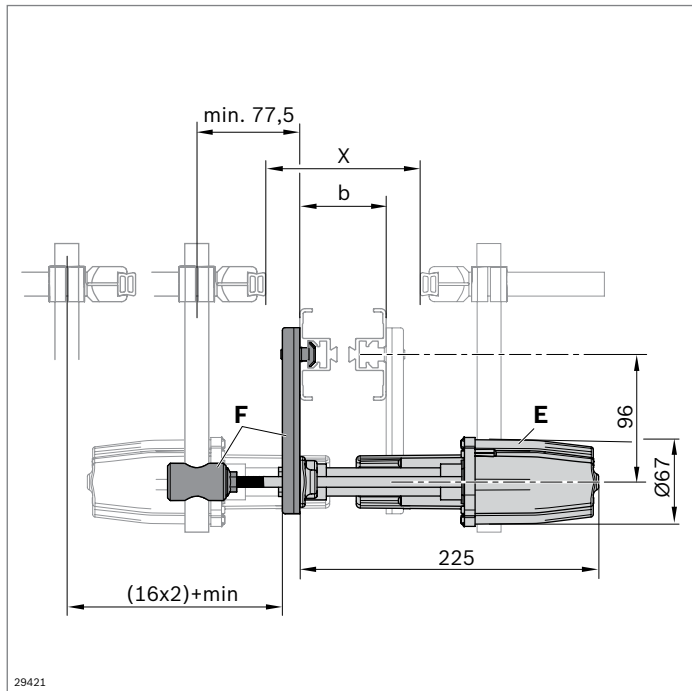
Material: aluminum
 Fastening material: steel; galvanized
 Scope of delivery: 2 x connection adapter; incl. fastening material (FS)



Adjustment unit

- Can be used for parallel width adjustment

Adjustment unit (A)	No.
	3 842 547 971
Crank handle (B)	No.
	3 842 547 990
Connection kit (C)	No.
	3 842 547 729
Profile rail D12 (D)	L (mm) No.
1 pcs	200 ... 3000 3 842 993 306 / L
6 pcs	3000 3 842 533 841



- Can be used for automatic (pneumatic) adjustment of lateral guides
- see also VarioFlow *plus* catalog (**R999000401**)

Adjustment unit (E)	No.
	3 842 547 707
Assembly kit (F)	No.
	3 842 547 718