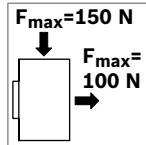
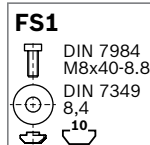
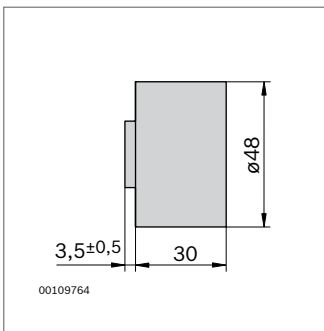


20976

Support wheels

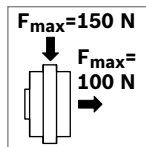
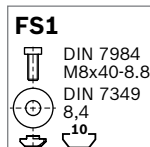
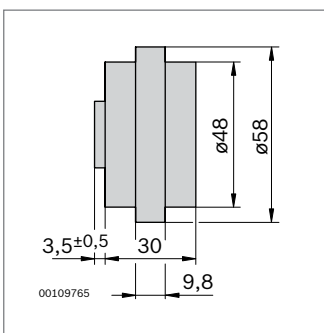


- ▶ Support wheel for constructing trolleys or roller sections
- ▶ Mounted on profiles with 10 mm slot
- ▶ Good running characteristics thanks to deep-groove ball bearing with large diameter
- ▶ Support wheel with rim can be guided in 10 mm slot
- ▶ ESD-conductive



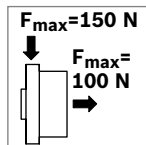
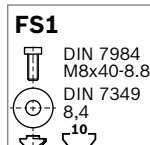
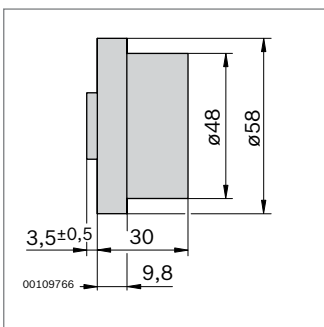
Support wheel	ESD	No.	FS
		10	FS1

Material: Vestamid; black
Fastening material: steel; galvanized
Scope of delivery: incl. fastening material (FS)



Support wheels with center rim	ESD	No.	FS
		10	FS1

Material: Vestamid; black
Fastening material: steel; galvanized
Scope of delivery: incl. fastening material (FS)



Support wheels with side rim	ESD	No.	FS
		10	FS1

Material: Vestamid; black
Fastening material: steel; galvanized
Scope of delivery: incl. fastening material (FS)