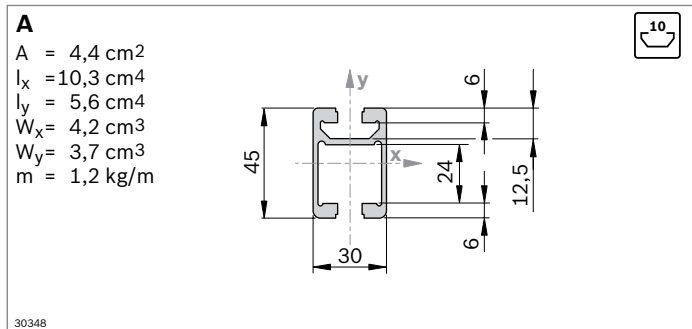


## Components for sliding door



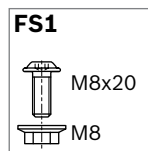
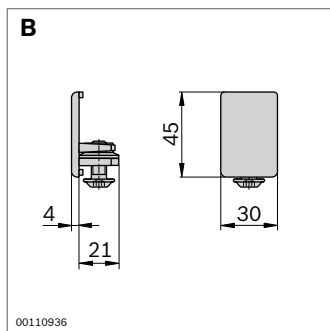
- Components for constructing sliding doors of different dimensions



- Profile rail and trolley for movable mounting of parts, e.g. for use as a screwdriver hanger at work tables or for EcoSafe sliding doors (p. 10-14)

Profile rail 30x45C	L (mm)	No.
1 pcs	50 ... 5600	<b>3 842 992 946 / L</b>
20 pcs	5600	<b>3 842 523 598</b>

Material: aluminum, anodized

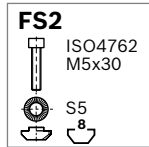
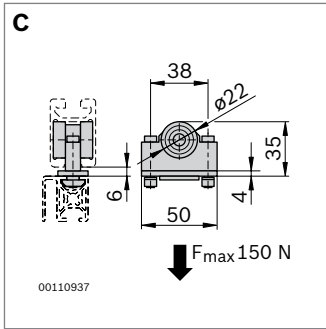


- Profile rail end piece for use for trolley as a cover cap with stop
- With screw protection

End piece 30x45C	Color	ESD		No.	FS
	Signal gray		20	<b>3 842 554 710</b>	FS1
	Black		20	<b>3 842 554 711</b>	FS1

Material: End piece: PA  
Fastening material: steel; galvanized

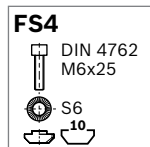
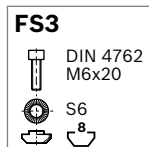
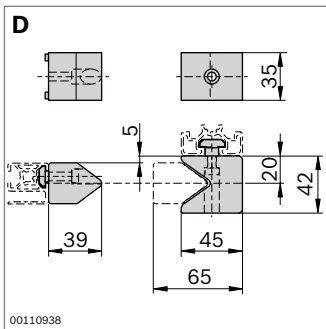
Scope of delivery: incl. fastening material (FS)



- ▶ Trolley with dust-proof ball bearings for smooth sliding motion
- ▶ For fastening profiles with a 8 mm slot

Trolley	No.	FS
	<b>3 842 524 153</b>	2xFS2

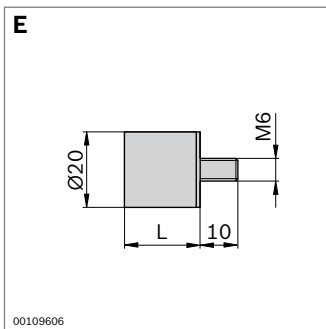
Material: PA, black / steel, galvanized  
 Fastening material: steel; galvanized  
 Scope of delivery: incl. fastening material (FS)



- ▶ Stop kit for damped closing of the sliding door

Stop kit	No.	FS
	<b>3 842 524 490</b>	FS3, FS4

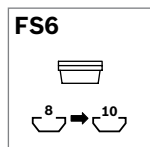
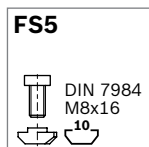
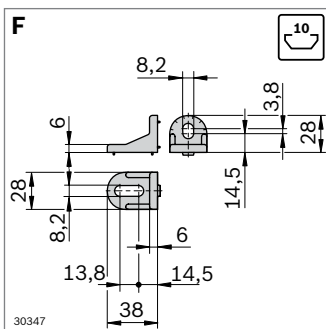
Material: PA; black  
 Fastening material: steel; galvanized  
 Scope of delivery: incl. fastening material (FS)



- ▶ Bumper for a damped stop

Bump stop	No.
	<b>10 3 842 510 462</b>

Material: rubber, hardness 55° shore A  
 Accessories: bracket set R28x38 for fastening to strut profiles with 10 mm slot



- ▶ Bracket for fastening the profile rail to strut profiles with 10 mm slot

Bracket	Slot	ESD	No.	FS
<b>R28x38 set (standard)</b>	10 / 10		<b>3 842 521 580</b>	2xFS5, 4xFS6

Material: diecast zinc  
 Fastening material: steel; galvanized  
 Scope of delivery: incl. fastening material (FS)