

## Slide hanger Spring hook



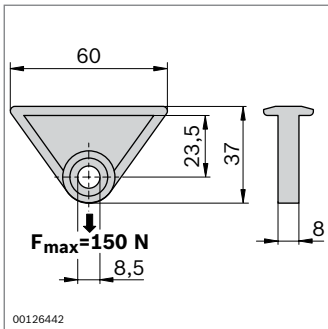
### Slide hanger

- ▶ Slide hanger as an inexpensive solution for sliding tool hangers
- ▶ Max. load: 150 N
- ▶ Guide in the 10 mm profile slot
- ▶ Sliding block can be used as a stopper

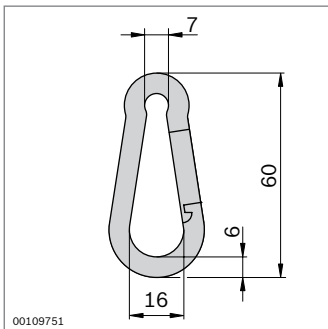
Accessories: Sliding block as a stopper (see p. 3-7)

### Spring hook

- ▶ Spring hook for fastening tools to the slide hanger:
  - Quick and easy to change



00126442



00109751

Slide hanger	No.
	<b>3 842 218 953</b>

Material: POM; natural

Spring hook	No.
	<b>0 842 901 309</b>

Material: steel; galvanized