

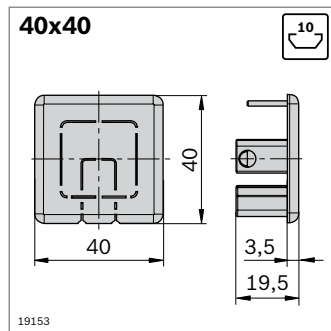
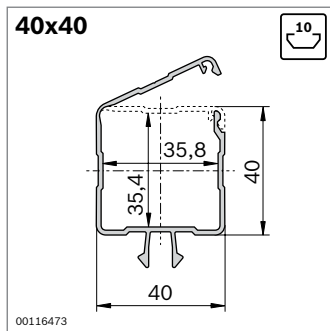
Cable duct



- ▶ Cable duct for routing electrical lines
- ▶ Captive cover
- ▶ Really easy to access
- ▶ Large usable volume
- ▶ Simple, fast assembly – just clips into the 10 mm slot
- ▶ Cover cap for sealing the cable duct with pre-punched holes for running cables through

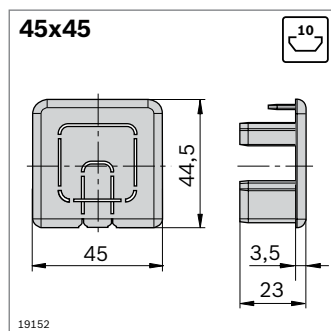
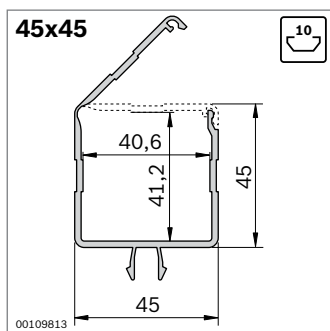
Required accessories:

Screw DIN 7981 3.9 x 9.5 for fastening the cover cap on the cable duct



	L (mm)		No.
Cable duct 40x40	2000	1	3 842 532 363
Cover cap 40x40		10	3 842 535 921

Material: Cable duct: PVC, black
Cover cap: PA; black



	L (mm)		No.
Cable duct 45x45	2000	1	3 842 523 014
Cover cap 45x45		10	3 842 535 676

Material: Cable duct: PVC, black
Cover cap: PA; black