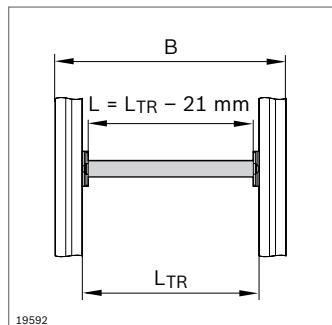
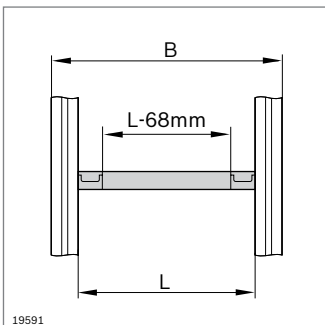
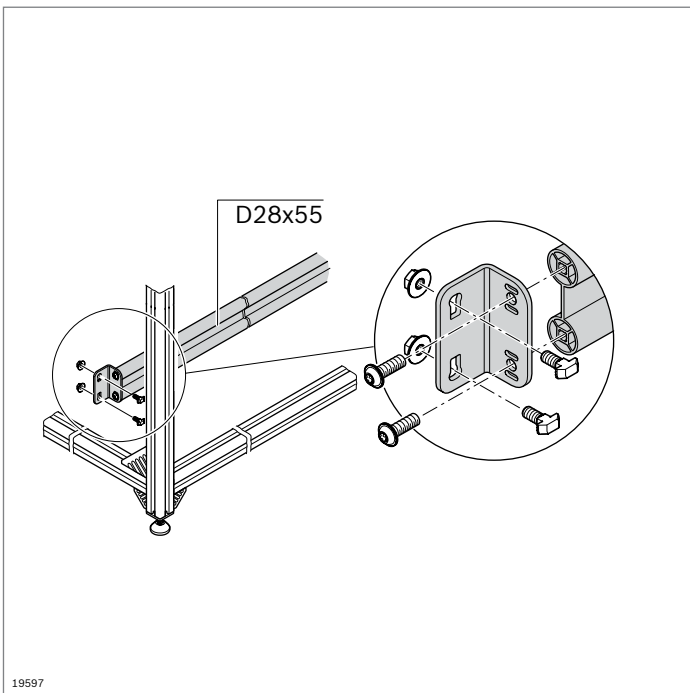


Round tube D28, strut profile D28x55 bracket, T-connector

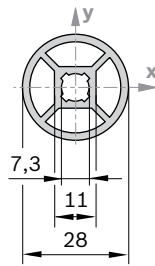


- ▶ For constructing cross-ties in flow racks or workstations
- ▶ Suitable for heavy loads
- ▶ Use of fastening brackets makes for easy assembly
- ▶ Elongated hole in the mounting bracket for length adjustment
- ▶ Central holes can be used for self-tapping screws S8x25 (p. 3-40)
- ▶ For suitable components for constructing conveyor tracks, see chapter 12 “Elements for manual movement”



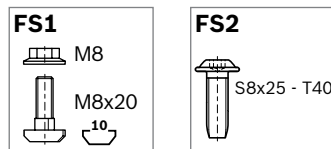
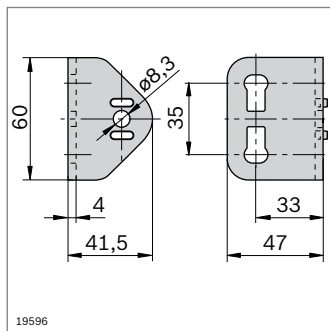
D28

A = 2,4 cm²
 $I_x = 1,5 \text{ cm}^4$
 $I_y = 1,5 \text{ cm}^4$
 $W_x = 1,1 \text{ cm}^3$
 $W_y = 1,1 \text{ cm}^3$
 m = 0,7 kg/m



19505

Cover cap D28	Color	ESD	No.
	Gray		20 3 842 537 718
	Black		20 3 842 535 835



Round tube D28	L (mm)	No.
1 pcs	50 ... 6000	3 842 993 317 / L
20 pcs	6070	3 842 535 118

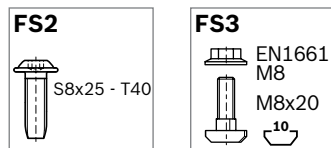
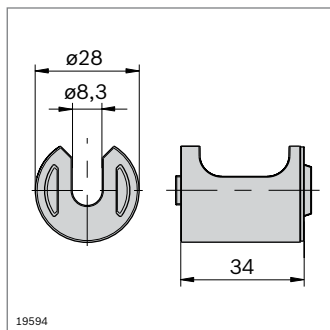
Material: aluminum, anodized
 Optional accessories: lettering clip (p. 2-86)

Holding bracket for round tube D28

- ▶ For mounting a round tube D28 to a strut profile with a 10 mm slot
- ▶ Extremely simple mounting thanks to easy adjustment of the installation height

Bracket 60x47x4	No.	FS
	20 3 842 536 002	2xFS1, FS2

Material: steel; galvanized
 Scope of delivery: incl. fastening material (FS)

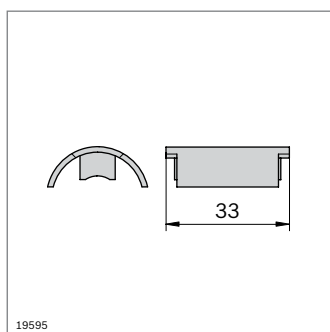


T-connector for round tube D28

- ▶ For fixing a round tube D28 to a strut profile with a 10 mm slot
- ▶ Without obtruding parts

T-connector D28	No.	FS
	20 3 842 532 879	FS2, FS3

Material: T-connector: Die-cast aluminum
 Cover cap: ABS; black
 Scope of delivery: incl. cover cap, fastening material (FS)

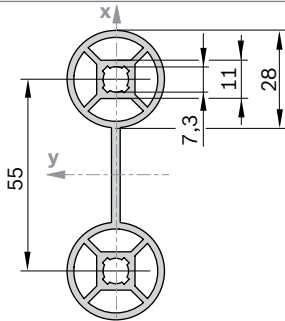


Cover cap D28	No.
	20 3 842 532 878

Material: ABS; black

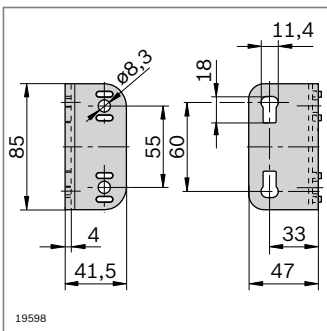
D28x55

A = 5,9 cm²
 I_x = 3,2 cm⁴
 I_y = 88,3 cm⁴
 W_x = 2,3 cm³
 W_y = 23,1 cm³
 m = 1,6 kg/m

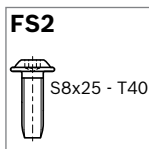
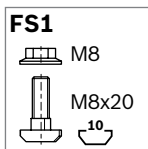


19468

Cover cap D28	Color	ESD	No.
(2x)	Gray		20 3 842 537 718
(2x)	Black		20 3 842 535 835



19598



Strut profile D28x55	L (mm)	No.
1 pcs	100...6000	3 842 993 489 / L
20 pcs	6070	3 842 537 477

Material: aluminum, anodized
 Optional accessories: lettering clip (p. 2-86)

2

Bracket 85x47x4

- For fastening a D28x55 strut profile to a strut profile with a 10 mm slot
- Really simple assembly thanks to easy adjustment of the installation height

Bracket 85x47x4	No.	FS
20	3 842 536 730	2xFS1, 2xFS2

Material: steel; galvanized
 Scope of delivery: incl. fastening material (FS)