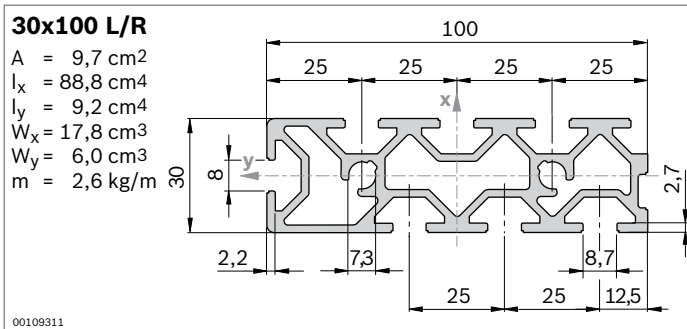


Slotted plate 30x100

- ▶ Modular plate profiles with multiple slots for experimental constructions of any dimensions
- ▶ Slot spacing 25 mm
- ▶ Slot size 8.9 mm
- ▶ 8 mm slot connectors can be used

Optional accessories:

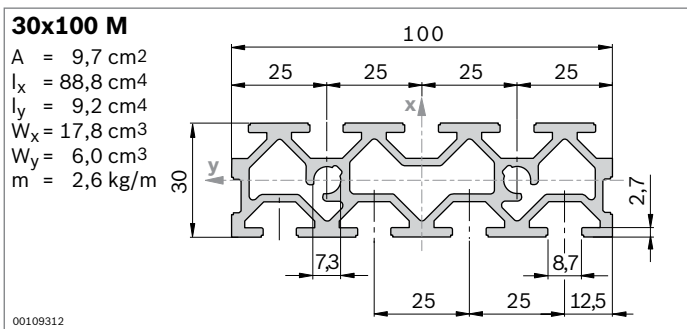
- ▶ Profile 30x30 (p. 2-17)
- ▶ Sliding block



- ▶ Slotted plate **30x100 L/R** with lateral 8 mm slot as outer stop

Grooved plate 30x100 L/R	Groove	L (mm)	No.
1 pcs	8	100 ... 5600	3 842 993 337 / L
18 pcs	8	5600	3 842 542 696

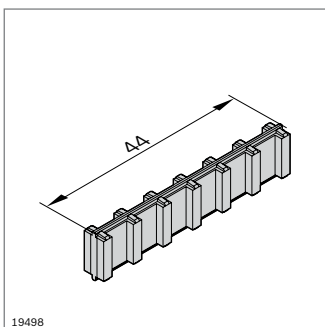
Material: aluminum, anodized



- ▶ Slotted plate **30x100 M** for constructing slotted plates of any width

Grooved plate 30x100 M	Groove	L (mm)	No.
1 pcs	8	100 ... 5600	3 842 993 336 / L
18 pcs	8	5600	3 842 542 698

Material: aluminum, anodized



Sliding block

- ▶ For connecting the 30x100 grooved plates
- ▶ Recommendation: use 3 sliding blocks per meter of profile length

Sliding block	No.
	100 3 842 520 922

Material: PA