

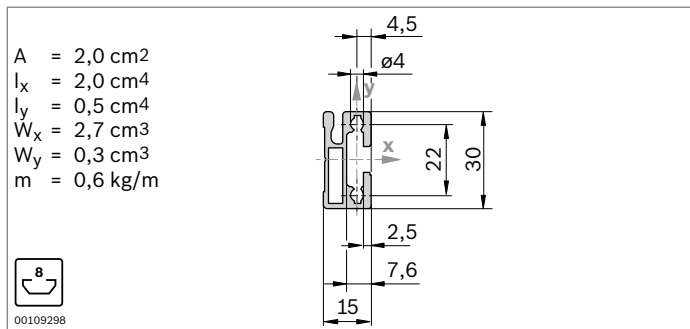
Suspension profile



- ▶ For the fast, secure suspension of grab containers, grab ledges, grab trays, and tool holders
- ▶ Profile finishing: through-hole for screwdriver
- ▶ Matching grab containers in the Manual Production Systems catalog (**3 842 538 280**)

Required accessories:

- ▶ Screw
- ▶ T-nut (p. 3-4)

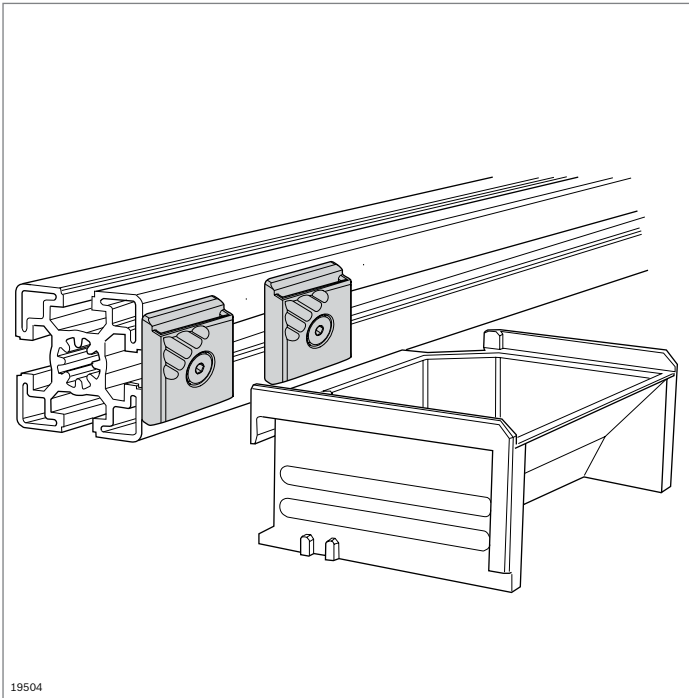


Suspension profile	L (mm)	ESD No.
1 pcs	50 ... 3000	3 842 993 411 / L
10 pcs	3000	3 842 537 679
1 pcs	50 ... 3000	3 842 993 063 / L
10 pcs	3000	3 842 554 157

Material: Suspension profile: aluminum, anodized
ESD suspension profile: aluminum; natural

Cover cap	Color	ESD	No.
15x30	Signal gray	20	3 842 551 582
15x30	Black	20	3 842 551 583

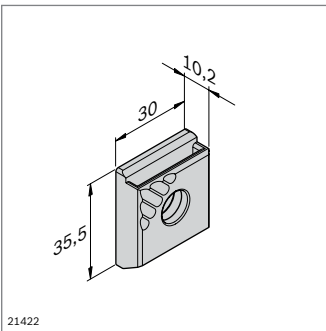
Material: PP



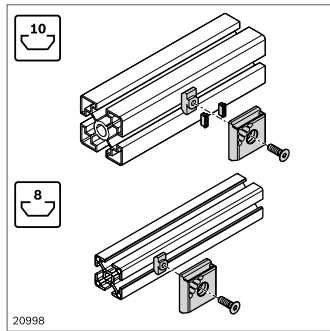
19504

Container mount

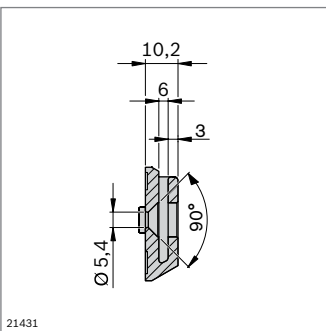
- ▶ Container mount for mounting tool holders, grab containers, grab trays, and grab ledges
- ▶ Suitable for 8 mm and 10 mm slots



21422



20998



21431

Container mount	ESD No.
10	3 842 544 797

Material: PA 66; black
 Fastening material: steel; galvanized
 Scope of delivery: incl. fastening material (FS)